

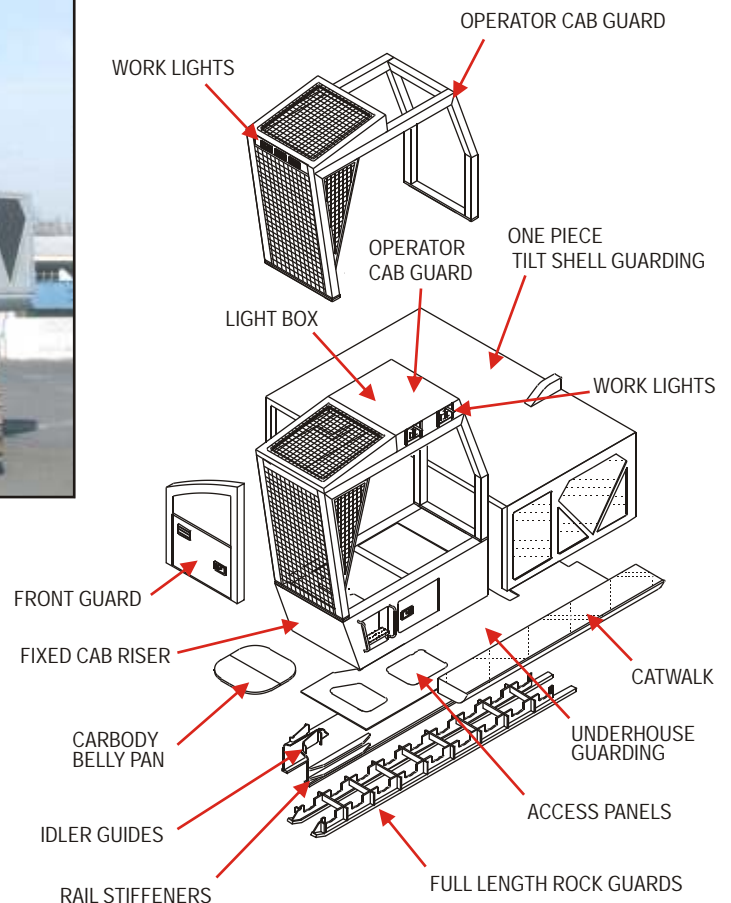
## CUSTOM EXCAVATOR GUARDING PACKAGES

Designed and built for your machine and applications.

**PALADIN**  
CUSTOM MATERIAL HANDLING

Guarding Packages designed for:

- Harvester/Processors
- Feller/buncher
- Added Machine Security
- Demolition



Guarding Package Components:

- Elevated Cab Riser
- Hydraulic Tilt Shell Guarding to protect machine components from falling objects and vandalism.
- Front Guarding to protect fuel and hyd. tanks
- Operator Cab Guard
- Full Length Catwalks
- Machinery Underhouse Guarding
- Carbody Belly Pan
- Full Length Rockguards